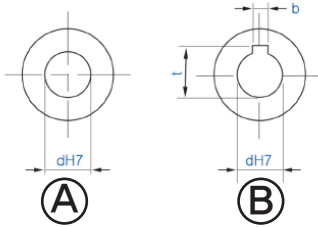
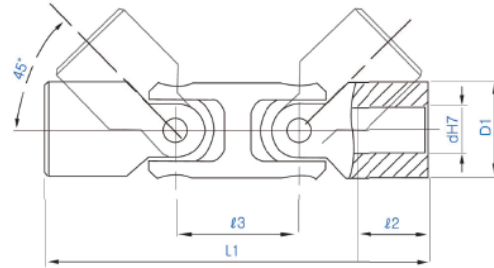
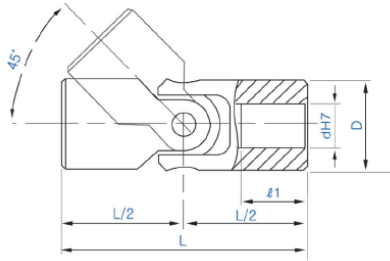


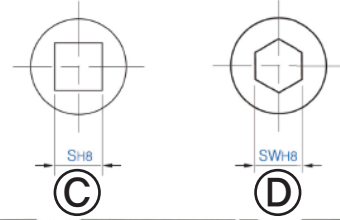
# Coupling

## Universal Joint

일반산업용



▲AUS (Single Type)



▲AUD (Double Type)

### 규격/성능 (Dimension & Performance)

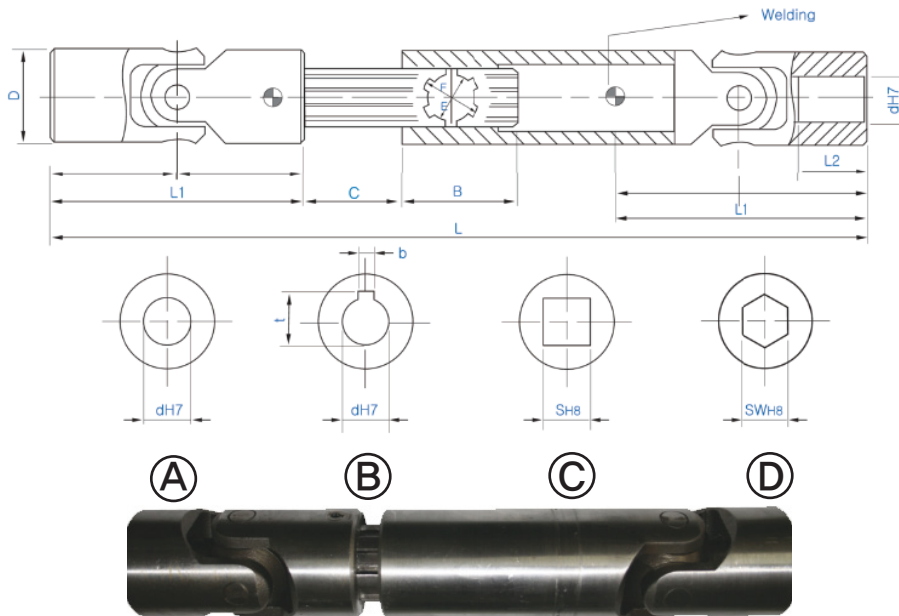
P/N		d	D	D1	L	L1	φ 1	φ 2	φ 3	S	SW	b x t
Single	Double											
AUS-10	/	5	13	/	40	/	13	/	/	/	/	/
AUS-13	/	6	13	/	40	/	13	/	/	6	/	/
AUS-16	/	8	16	/	40	/	10	/	/	8	/	2 x 9
AUS-20	/	10	20	/	62	/	19	/	/	10	10	3 x 11,4
AUS-25	AUD-25	12	25	25	74	86	23	19	33	12	12	4 x 13,8
AUS-29	AUD-29	14	29	25	74	95	23	21	33	14	14	5 x 16,3
AUS-32	AUD-32	16	32	32	86	113	26	21	37	16	16	5 x 18,3
AUS-37	AUD-37	18	37	37	120	180	41	54	39	18	18	6 x 20,8
AUS-40	AUD-40	20	40	40	108	128	32	21	46	20	20	6 x 22,8
AUS-47	AUD-47	22	47	47	130	200	41	54	46	22	/	6 x 24,8
AUS-50	AUD-50	25	50	50	132	163	41	25	59	25	25	8 x 28,3
AUS-58	AUD-58	30	58	58	166	182	52	30	66	30	30	8 x 33,8
AUS-70	AUD-70	35	70	70	140/200	212/310	35/65	30/79	78	AS ON REQUEST		
AUS-80	AUD-80	40	80	80	160/228	245/350	42/76	38/90	95			
AUS-95	AUD-95	50	95	95	190/270	290/426	54/94	50/118	120			

Stainless 재질로 공급가능

### Order Code

AUS or AUD-32-(A,B,C,D)

Model                      Size                      연결 Type



▶ 일반산업용 (Spline Type)

규격/성능 (Dimension & Performance)

제품번호	d	D	L1	L2	B	E/F	S	SW	b x t
AUL-22	10	22	45	10	40	11/14	10	10	3x11.4
AUL-25	12	25	50	11	45	13/16	12	12	4x13.8
AUL-29	14	29	56	13	48	13/16	14	14	5x16.3
AUL-32	16	32	65	15	50	16/20	16	16	5x18.3
AUL-37	18	37	72	17	51	16/20	18	18	6x20.8
AUL-40	20	40	82	19	56	18/22	20	20	6x22.8
AUL-47	22	47	95	22	60	21/25	22	22	6x24.8
AUL-50	25	50	108	27	69	23/28	25	25	8x28.3
AUL-58	30	58	122	30	70	26/32	30	30	8x33.8
AUL-70	35	70	140	35	70	28/35	35	35	10x38.3
AUL-80	40	80	160	42	75	33/40	40	40	12x43.3
AUL-95	50	95	190	54	80	43/50	50	50	14x53.8

"L" Length or Request  
 최소 L=(2\*L1)+B+C 최대 L=(2\*L1)+B+(2\*C) C=최대 L - 최소 L  
 Normal Execution is With Circular Bore Keyways-Square-Hexagon-or Request.  
 We Can Supply The Splined Milled-Hardened-Grounded.

Order Code

AUL-32-L(최소) & L(최대)-(A,B,C,D)

| |  
 Model Size

|  
 연결 Type